

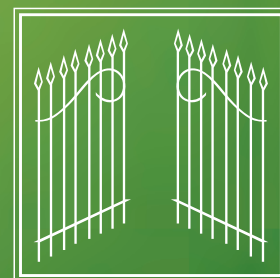
# TRIFO

11

➤ Photocells with infrared modulated light



GB



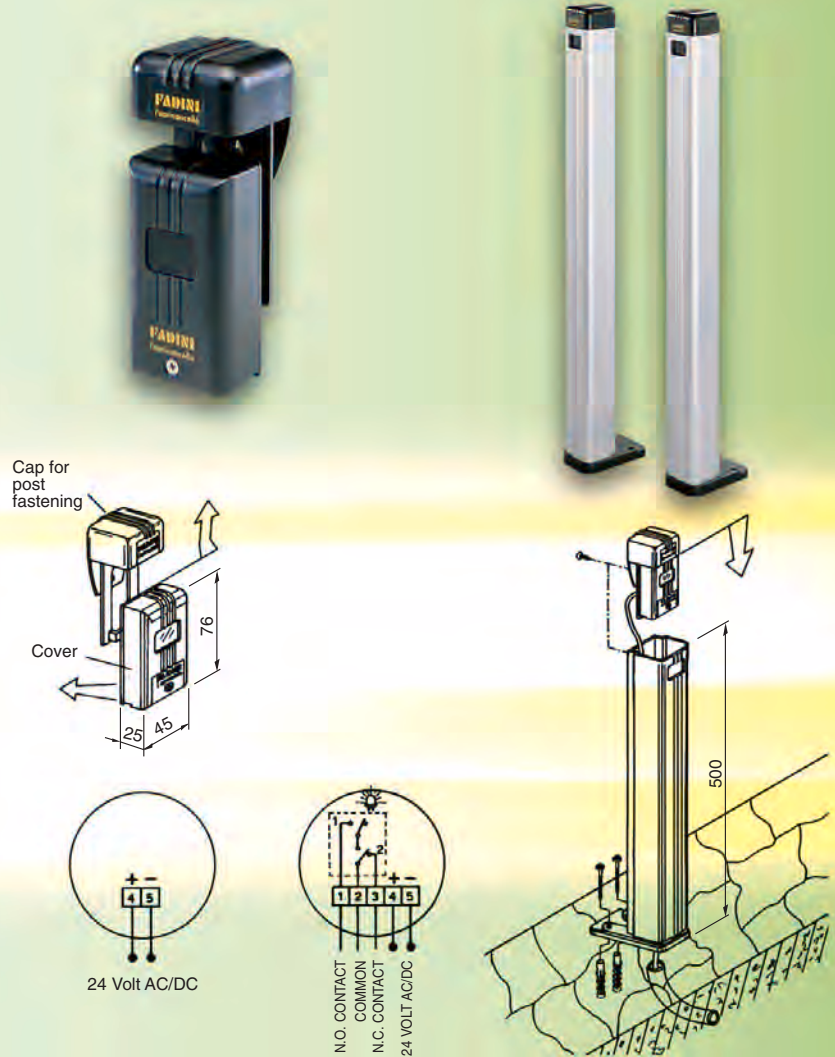
**FADINI**<sup>®</sup>  
the gate opener

# TRIFO 11 PHOTOCELLS

The photocells **TRIFO 11** are a new electronic safety device. The new design, aimed to further reduce the size of the product to meet limited space requirements with the most challenging passageways, is the Fadini answer to the market demand for new products which are to be consistent to our usual top quality standards at a good price. Using the latest electronic technology: the projector can modulate 1'500 Hz infrared light in the shape of a broad beam to be easily intercepted by the corresponding receiver. For this reason TRIFO 11s do not require any precise alignment or re-setting after installation. The receiver is fitted with a red LED which switches on when an obstacle interposes between the projector and the receiver. In such event, the gate operator is STOPPED immediately or made to REVERSE through the electronic control panel.

The cover is made of shock resistant plastic and is designed to ensure that the photocells are unaffected by the weather conditions in that they are watertight, reliable and durable. Easy to install, they provide an extremely versatile method of application either by screw fixing or mounting on posts. These are made of anodized aluminium with a base to be screwed down to the ground by means of expanding bolts. TRIFO 11 is a product that has been designed, manufactured and tested by Meccanica Fadini in compliance with EN 12453 and EN 12445 Standards, a further guarantee of quality.

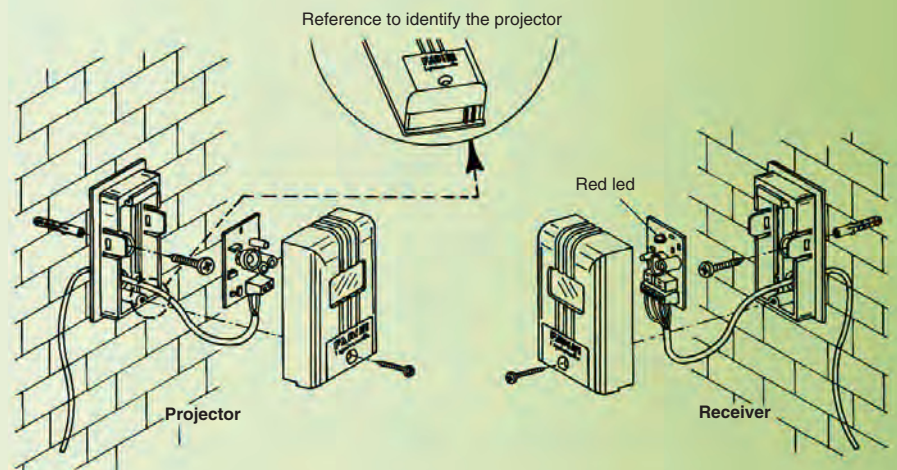
## Photocells for post fitting



## Technical specifications

Supply voltage.....	24 Vac/dc
Absorption of the projector.....	55 mA
Absorption of the receiver.....	35 mA
Working temperature.....	-10°C +60°C
Capacity of the relay.....	1A 125 Vac 60 VA max.
Infrared modulated light.....	1'500 Hz
Two relays.....	changeover
Distance range.....	6 m
Obstacle detection time.....	6 ms
Protection standards.....	IP 55
Weight of one pair Trifo 11.....	85 g
Weight of one post with base & screws.....	64 g
Weight of the complete kit Trifo 11.....	1.4 Kg
Dimensions.....	76x45x25 mm

## Photocells for wall fixing



Distributor's box

The manufacturers reserve the right to change the products without any previous notice



EUROPEAN MARK CERTIFYING CONFORMITY TO THE ESSENTIAL REQUIREMENTS OF THE STANDARDS 98/37/EC

- DECLARATION OF CONFORMITY
- GENERAL WARNINGS
- EN 12453, EN 12445 STANDARDS
- CEI EN 60204-1 STANDARDS
- WARRANTY CERTIFICATE ON THE CUSTOMER'S REQUEST

The "CE" mark certifies that the operator conforms to the essential requirements of the European Directive art. 10 EEC 73/23, in relation to the manufacturer's declaration for the supplied items, in compliance with the body of the regulations ISO 9000=UNI EN 29000. Automation in conformity to EN 12453, EN 12445 safety standard.

The growth of MECCANICA FADINI has always been based on the development of guaranteed products thanks to our "TOTAL QUALITY CONTROL" system which ensures constant quality standards, updated knowledge of the European Standards and compliance with their requirements, in view of an ever increasing process of improvement.



AUTOMATIC GATE MANUFACTURERS

Via Mantova, 177/A - 37053 Cerea (Verona) Italy - Tel. +39 0442 330422 r.a. - Fax +39 0442 331054 - e-mail: info@fadini.net - www.fadini.net